

PARA SYSTEM OVERVIEW

SRAS3D
Hexagon bolt double pipe BG3

SRSDP2D
Cover plate for double pipe clamp BG2

SRSOTR218DPARA
Double pipe clamp
ø 18 mm BG2 clamp top

SRSEINR212PARA
Insert for BG2
ø 12 mm pipe

SRSEINS213.5PARA
Insert BG2,
ø 23 mm 13.5 hose

SRSMKTR325218DPARA
Double pipe clamp
D=18/25 mm
BG2/3 combination

SRSEINS323PARA
Insert for BG2
ø 23 mm hose

SRSFA3PARA
Assembly bolt
PARA Clamp BG 3

M-1087-0000098327
PR12-1.5VZCF-150MM
hydraulic pipe, E235+N

M-000000000021435
KP206 braided hose, 2-layer,
EN857 2SC

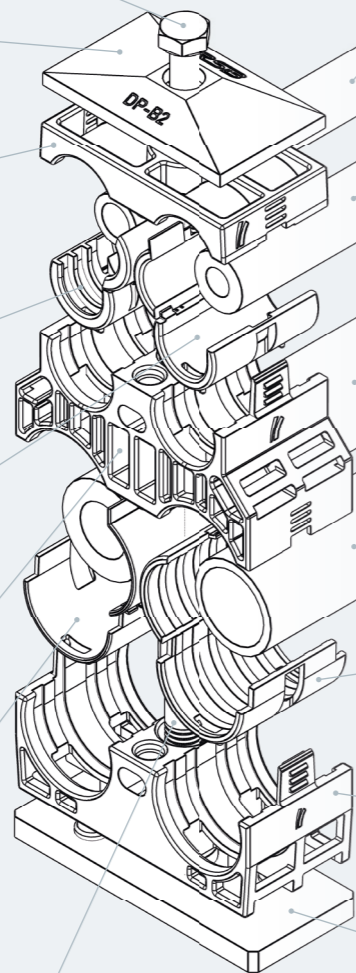
M-000000000021436
HD213 braided hose, 2-layer,
EN853 2SN

M-1087-0000098328
PR22-2.0VZCF-150MM
hydraulic pipe, E235+N

SRSEINR322PARA
Insert for BG3
ø 22 mm pipe

SRSUTR325DPARA
Double pipe clamp
ø 25 mm BG3 clamp bottom

SRSSP3DVZ
Welded-on base plate
double pipe BG3



Find out more about the many different ways
PARA system components can be combined



GREAT FLEXIBILITY!

PARA: PIPE AND HOSE IN THE SAME CLAMP

Modular design means great flexibility



Virtually tool-free line installation is finally reality: the SRS PARA Clamp by HANSA-FLEX has a unique click system to allow secure premounting of pipelines and hose lines in a matter of seconds. Line installation using this system could not be quicker, easier or more secure – and it can be done by a single installer.

The clever offset split insertion system with engagement hooks allows secure premounting of lines. They are held absolutely securely until final system installation. The modular design allows lines of different diameters to be mounted on the same multi-hole clamp. Grooved and smooth inserts for pipe and hose allow the two types of lines to be efficiently mounted parallel to one another in the same pipe run.



Available now through your usual HANSA-FLEX contact
Or from any of our 200 HANSA-FLEX subsidiaries in Germany

PARA SYSTEM CONNECTION MATRIX

HOW THE INDIVIDUAL COMPONENTS FIT TOGETHER

				BG 2			BG 3			BG 2 / BG 3
				Clamp bottom part	Clamp top part	Clamp middle part	Clamp bottom part	Clamp top part	Clamp middle part	Clamp middle combination part
				SRSUTR218DPARA	SRSOTR218DPARA	SRSMTR218DPARA	SRSUTR325DPARA	SRSOTR325DPARA	SRSMTR325DPARA	SRSMKTR325218DPARA
BG 2	Pipe	ø 15 mm	SRS EINR 215 PARA	✓	✓	✓				✓
	Pipe	ø 12 mm	SRS EINR 212 PARA	✓	✓	✓				✓
	Hose	ø 13.5 mm	SRS EINS 213.5 PARA	✓	✓	✓				✓
	Hose	ø 17.3 mm	SRS EINS 217.3 PARA				✓	✓	✓	✓
BG 3	Pipe	ø 18 mm	SRS EINR 318 PARA				✓	✓	✓	✓
	Pipe	ø 20 mm	SRS EINR 320 PARA				✓	✓	✓	✓
	Pipe	ø 22 mm	SRS EINR 322 PARA				✓	✓	✓	✓
	Pipe	ø 15 mm	SRS EINR 315 PARA				✓	✓	✓	✓
	Hose	ø 23 mm	SRS EINS 323 PARA				✓	✓	✓	✓
	Hose	ø 18 mm	SRS EINS 318 PARA				✓	✓	✓	✓
	Hose	ø 17.3 mm	SRSEINS317.3PARA				✓	✓	✓	✓
	Hose	ø 20 mm	SRS EINS 320 PARA				✓	✓	✓	✓
BG 2	Clamp bottom part	ø 18 mm	SRSUTR218DPARA		✓	✓				
	Clamp top part	ø 18 mm	SRSOTR218DPARA	✓		✓			✓	✓
	Clamp middle part	ø 18 mm	SRSMTR218DPARA	✓		✓			✓	✓
	Assembly bolt		SRS AF2 PARA	✓		✓				
BG 3	Clamp bottom part	ø 25 mm	SRSUTR325DPARA					✓	✓	✓
	Clamp top part	ø 25 mm	SRSOTR325DPARA				✓		✓	
	Clamp middle part	ø 25 mm	SRSMTR325DPARA				✓		✓	
	Assembly bolt		SRS AF3 PARA				✓		✓	✓
BG 2 / BG 3	Clamp middle combination part	SRSMKTR325218DPARA		✓	✓	✓		✓		
BG2	Bolt		SRS AS 2D (M8 x 35)	✓	✓					
	Bolt		SRS IS 2D (M8 x 35)	✓	✓					
	Bolt		SRS AS 5D (M8 x 60)	✓	✓	✓				
	Bolt		SRS IS 5D (M8 x 60)	✓	✓	✓				
BG3	Bolt		SRS AS 3D (M8 x 45)				✓	✓		
	Bolt		SRS IS 3D (M8 x 45)				✓	✓		

Welded-on base plate	Assembly bolt	Clamp bottom part	Clamp middle part	Clamp combination part	Clamp top part	Cover plate
SRSSP2D	SRS AF2 DPARA	SRSUTR218DPARA	SRSMTR218DPARA	SRSMKTR325218DPARA	SRSOTR218DPARA	SRSDP2D
SRSSP3D	SRS AF3 DPARA	SRSUTR235DPARA	SRSMTR235DPARA		SRSOTR325DPARA	SRSDP3D